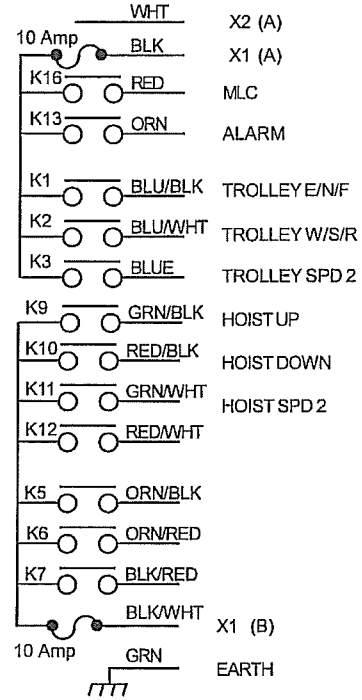
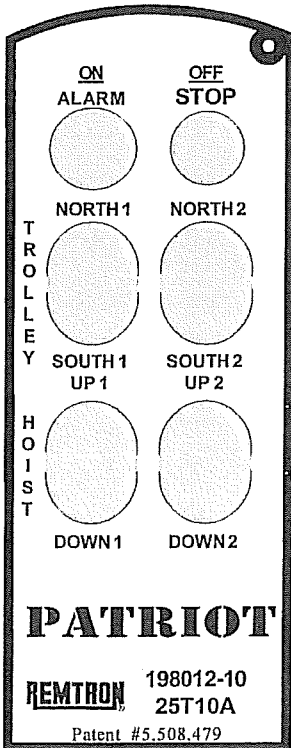


CONFIGURATION SHEET 25S10A
25T10A / 25R11A



NOTES:

25S10A PATRIOT SYSTEM

2-MOTION 2-SPEED MONORAIL

ENG. # 198012

TX: 010001.MAP/RX: 110009.MAP

198012-1

For Service or Repairs contact
Laird Technologies
1916 W. Mission Rd.
Escondido, CA 92029
Tel (800) 328-5570