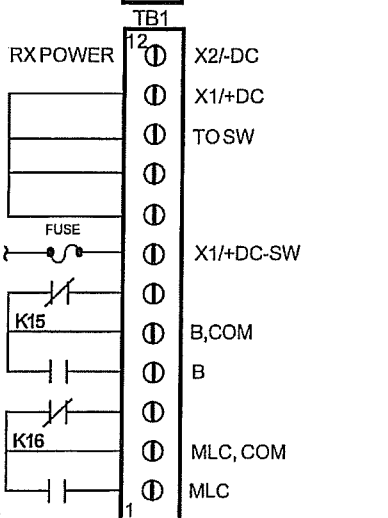
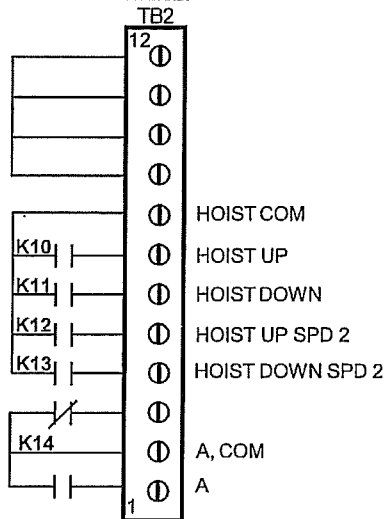
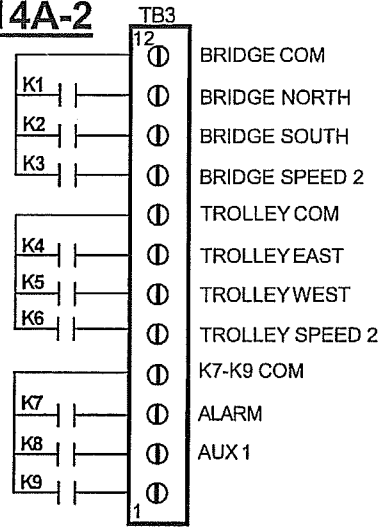
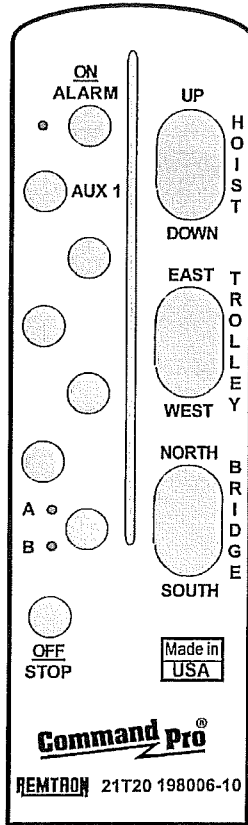


CONFIGURATION SHEET 2014A-2
21T20 / 21R14A



NOTES: ENG. # 198006
TX: 010013 MAP RX: R14A0004
2014A -2 STANDARD SYSTEM
ONE AUX OUTPUT-MOMENTARY
A/B/BOTH FOR T/H SELECTION
4-WIRE HOIST

NOTE:
 24VAC, 12VDC, 24VDC USE 750A FUSE
 115VAC, 230VAC USE 250A FUSE

198006-1
 For Service or Repairs contact
Laird Technologies
 1916 W. Mission Rd.
 Escondido, CA 92029
 Tel (800) 328-5570

USE 12-28 AWG SOLID OR
 STRANDED COPPER WIRE