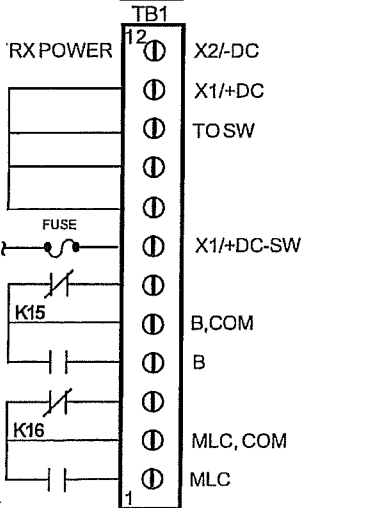
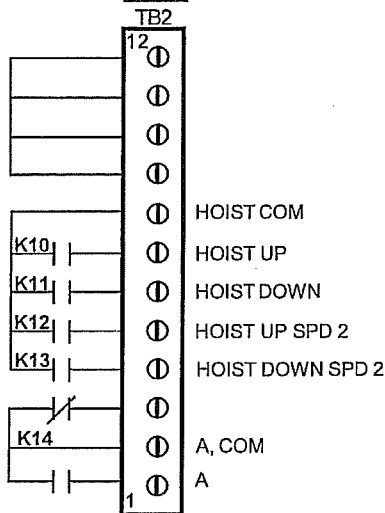
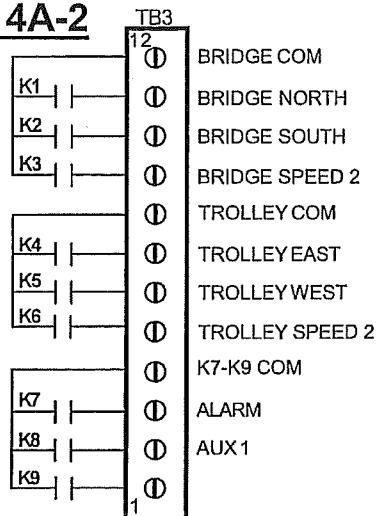
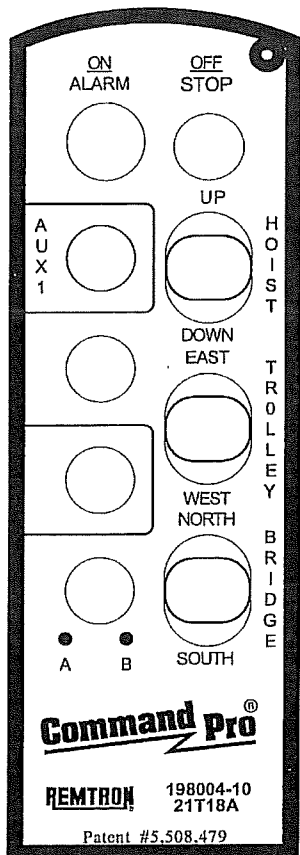


**CONFIGURATION SHEET 1814A-2**  
**21T18A / 21R14A**



NOTE:  
24VAC, 12VDC, 24VDC USE .750A FUSE  
115VAC, 230VAC USE .250A FUSE

- NOTES: ENG. # 198004  
TX: 010013 MAP RX: R14A0002  
1814A -2 STANDARD SYSTEM  
ONE AUX OUTPUT-MOMENTARY  
A/B/BOTH FOR T/H SELECTION  
4-WIRE HOIST

198004-1

For Service or Repairs contact  
**Laird Technologies**  
1916 W. Mission Rd.  
Escondido, CA 92029  
Tel (800) 328-5570

USE 12-28 AWG SOLID OR  
STRANDED COPPER WIRE