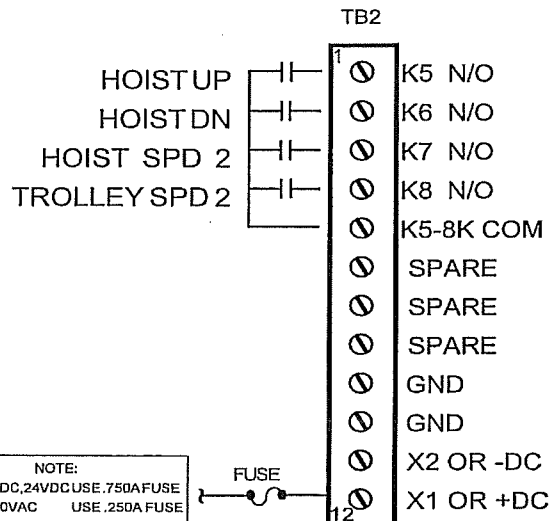
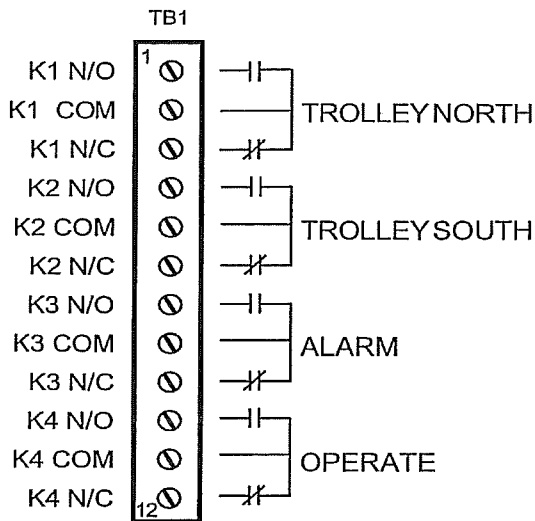


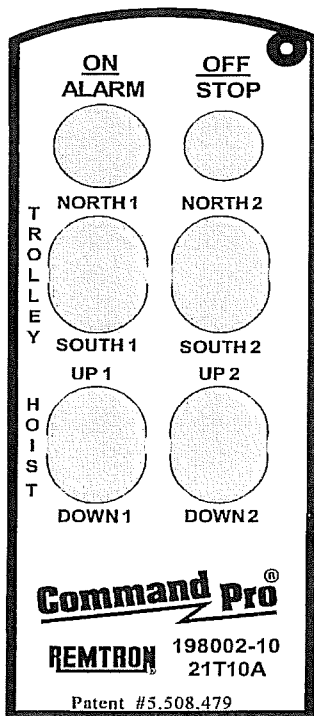
CONFIGURATION SHEET 1008A-2
21T10A / 22R08A



NOTE:
24VAC, 12VDC, 24VDC USE .750A FUSE
115VAC, 230VAC USE .250A FUSE



USE 12-28 AWG SOLID OR STRANDED COPPER WIRE



NOTES: ENG. # 198002
TX: 010001.MAP / RX: R08A0002.MAP
1008A-2 STANDARD SYSTEM
2 MOTION, 2 SPEED HOIST & TROLLEY
198002-1

For Service or Repairs contact
Laird Technologies
1916 W. Mission Rd.
Escondido, CA 92029
Tel (800) 328-5570