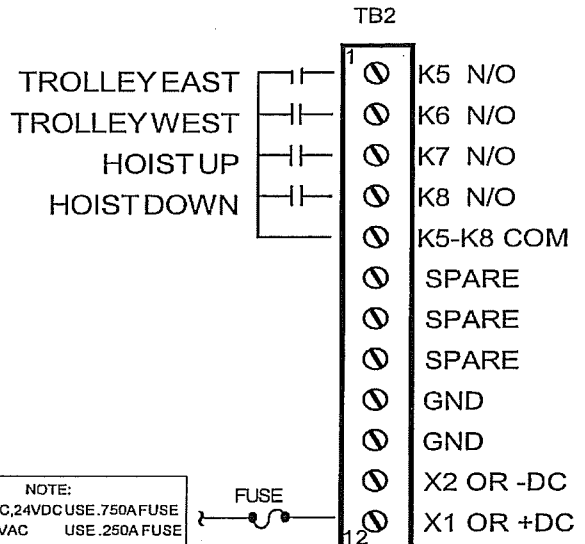
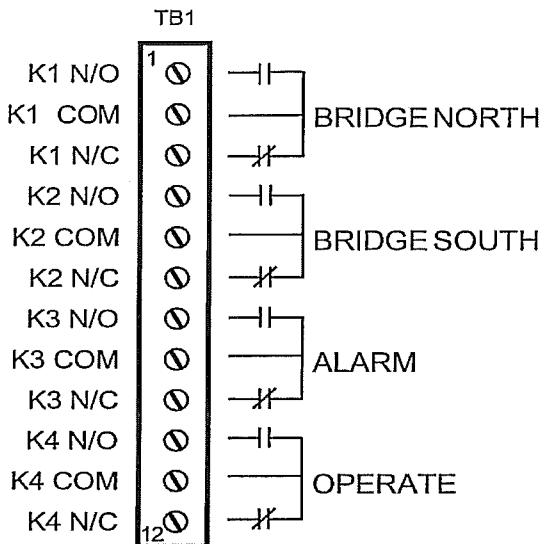


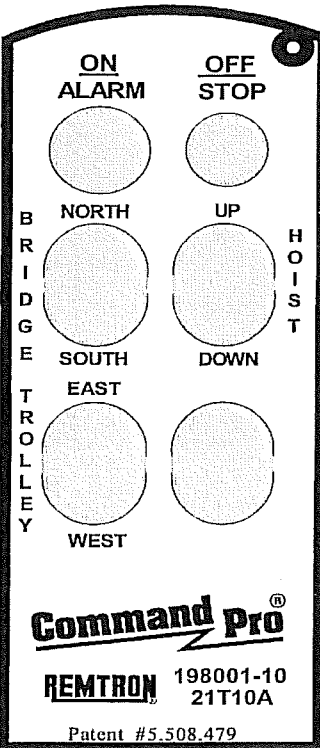
**CONFIGURATION SHEET 1008A-1**  
**21T10A / 22R08A**



NOTE:  
24VAC, 12VDC, 24VDC USE .750A FUSE  
115VAC, 230VAC USE .250A FUSE

FUSE

USE 12-28 AWG SOLID OR STRANDED COPPER WIRE



NOTES: ENG. # 198001

TX: 010001.MAP / RX: R08A0001.MAP

1008A-1 STANDARD SYSTEM

3 MOTION, 1 SPEED

For Service or Repairs contact  
**Laird Technologies**  
1916 W. Mission Rd.  
Escondido, CA 92029  
Tel (800) 328-5570